

# CITRUS JUICER

## MODEL 900

### INCREASE SALES AND PROFITS WITH FRESH SQUEEZED CITRUS JUICE

Juice Tree, Inc. is the world's largest producer of citrus extractors. Only Juice Tree provides all requirements for a fresh juice program... equipment, bottles and service..

Model 900, a completely automatic citrus extractor, offers...

- All Citrus Types
- All Citrus Sizes.
- Best Tasting Juice
- Highest Yield
- Lowest Peel Oil
- Longest Shelf Life
- Easiest to Clean
- Easy to Operate
- Proven Reliability

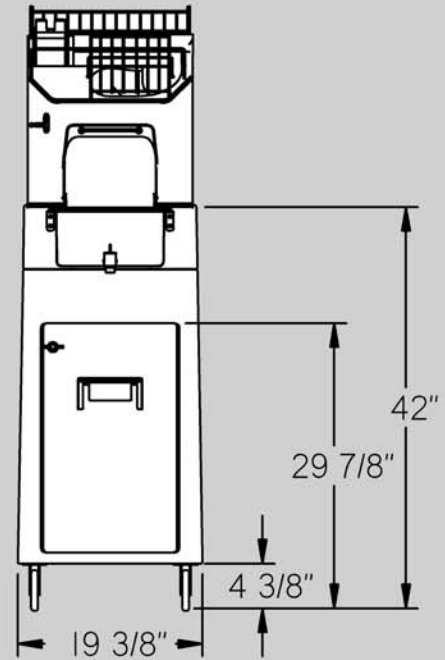
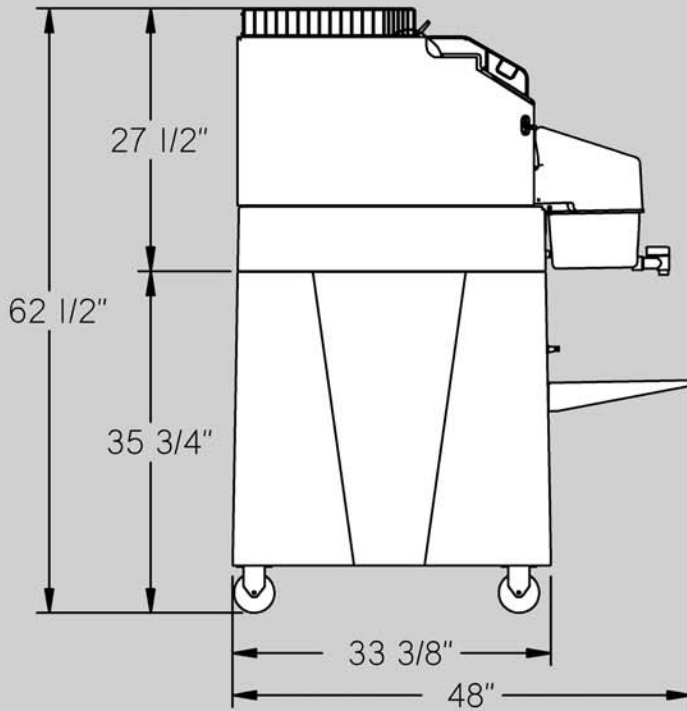
When placed in store the machine attracts customers to watch the juicing operation. It answers the consumer demand for easy convenience to natural and fresh.

Juice Tree has 30 years experience and 15,000 machines in operation. The company's worldwide sales and service network offers trained distributors and service agents to ensure that outstanding service is part of every sale.

**“See it squeezed,  
Know it's Fresh!”**



# CITRUS JUICER



## MODEL 900 SPECIFICATIONS

### HOPPER CAPACITY:

40 lbs. (1 carton)

### SIZE OF FRUIT & YIELD:

See below. Yields and production rates vary with fruit. Chart below indicates averages

### PORTABILITY:

Mounted on four casters for complete mobility.

### SPACE REQUIREMENTS:

6 square feet plus juice display

### ELECTRICAL:

Standard outlet: 110 Volt/60 Cycle  
10 Amp Single Phase  
For Export: 220 Volt/50/60 Cycle  
5 Amp Single Phase

### HYDRAULICS:

Fully adjustable pressure to properly squeeze various sizes and varieties of citrus.

### SHIPPING DIMENSIONS AND WEIGHT:

Machine: 36 x 21 1/2 x 60 1/2 (Packed)  
1 Pkg. @255 lbs. Shipping Wt. 27.0 Cu.Ft.

### WARRANTY:

12 month limited warranty.



FOR INFORMATION OR PRICING CONTACT :

### JUICE TREE CO & NUTRIFASTER INC.

209 S BENNETT ST.  
SEATTLE, WA 98108  
USA

(206) 767-5054 / (800) 800-2641  
FAX: (206) 762-2209

WWW.NUTRIFASTER.COM  
SALES@NUTRIFASTER.COM



Fruit	Fruit Size	Juice Yield Per Carton	Fruit/Minute	Quarts/Minute	Quarts/Hour
Oranges	163-88	9-11 Quarts	13-14	1 1/4	75
Grapefruit	88-40	7-9 Quarts	13-14	1 2/3	100
Lemons/Limes	115-75	5-7 Quarts	13-14	1	60